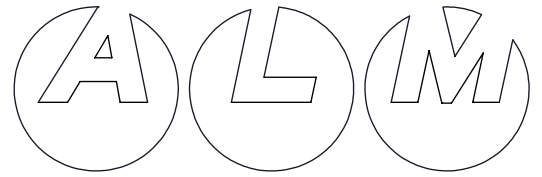


Stick M

PENDANT

INSTALLATION INSTRUCTIONS

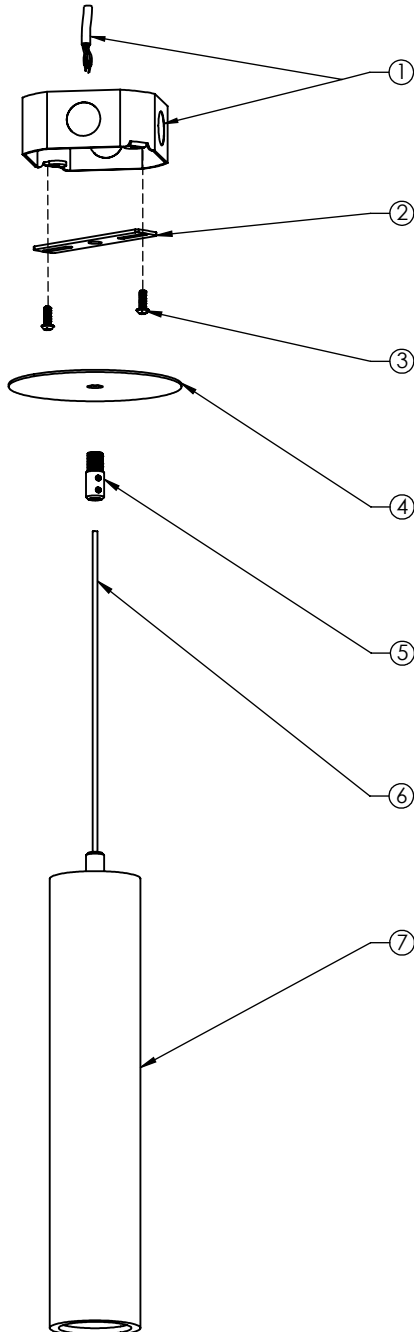


NOTE - Remote driver:

- If required, installed by others
- Connect wires accordingly

NOTE:

If octagon box is not available, please check "Stick M Pendant Specification Sheet" and order alternative mounting option separately.
Alternative mounting options available:
- CMOP-2-5
- CMOP-3-5



1	4" Octagon box and power feed (by others)
2	Crossbar
3	Mounting screws to octagon box 8-32 x 3/4" long, round head (by others)
4	4.5" [114mm] dia. ceiling plate
5	Power cord gripper
6	Flexible power cord
7	Fixture assembly

INSTRUCTIONS:

1. Secure mounting crossbar to the standard 4" octagon box (screws by others).
If octagon box is not available, see note above.
2. Bring the power cord through the power cord gripper, and through the ceiling plate.
3. Splice the fixture power wires and power feed as required.
Wires for connection are clearly labeled.
4. Install ceiling plate to the ceiling by screwing the power cord gripper to the mounting crossbar.
5. Secure the power cord with the set screws on the power cord gripper.
6. Energize.

GENERAL NOTE:

- * Turn power off before beginning.
- * Do not connect to an ungrounded supply.
- * Consult a qualified electrician to ensure correct branch circuit conductor.
- * This product must be installed in accordance with the applicable installation code by a person familiar with the construction and operation of the product and the hazards involved.
- * Save these instructions.